

3200 220V



3200 Features

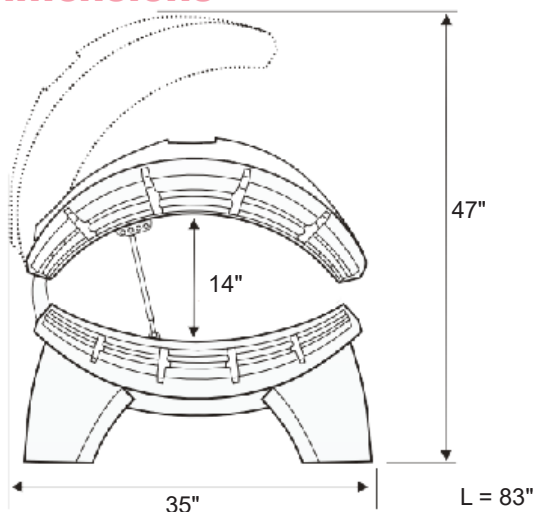
Standard

- Programmable Internal Timer
- Dual Hour Counters
- Easy-Access Digital Timer
- XL lamps
- TMAX Compatible
- Front Skirt
- Deco Shield
- Turbo Cooling System
- 4 Speed Body Fan
- Adjustable Cooling

Optional

- MyMp3 Intergrated
- TMAX Integrated

Dimensions



RenuvaSkin 3200

Canopy Lamps
Bench Lamps
Electrical Rating

18x75" 110W
 14 x 71" 100W
 230V ~18A 60 Hz
 2 Pole (2 Hots 1 Ground)
 25 Amp
 0.50 Kva
 15 Minutes
 Digital
 83"Lx35.5"W x 48"H
 8 ft. x 7 ft.
 450 lbs.

Power Requirements

Buckbooster

Session Time

Timer Display

Dimensions

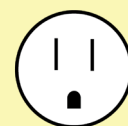
Recommended Room Size

Shipping Weight



230V

REQUIRED: A 220V - 20 Amp outlet is needed when operating this equipment.



110V

DISCLAIMER: A 110V outlet is needed when operating equipment with T-max system or Mp3.

Note: Equipment comes standard in three phase configuration. Buck boosters must be installed by licensed electrician in your state/county