

**ERGOLINE  
SUNDASH  
SERIES**

**SUPER POWER**



**ERGOLINE SUNDASH 32/0 & 32/1**

# **ERGOLINE & SUNDASH** **A WINNING TEAM**

- THE PERFECT SOLUTION FOR ENTRY LEVEL TANNING SERVICES
- RELIABLE TANNING PERFORMANCE WITH SUPER POWER BODY LAMPS
- A PROVEN WORKHORSE FOR EVERY SALON ENVIRONMENT
- COMFORT COOLING & STEREO SOUND FOR TANNING ENJOYMENT

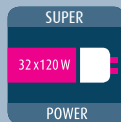


*Ergoline*

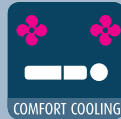
## HIGHLIGHTS

SUNDASH 32/0 & 32/1  
SUPER POWER

STANDARD FEATURES



The Sundash series features 120w Super Power lamps - a proven choice for entry level tanning services.



Comfort Cooling wraps your body and face in a pleasant flow of cooling air and makes every tanning session a refreshing experience.



The body curve base acrylic ensures comfort throughout the tanning session and reliably hold up in heavy duty salon environments.

OPTIONAL



Ultra Performance technology with glass reflectors and special filters are especially effective for the hard to tan facial area.



Our Stereo Sound System will make your tanning session an entertaining experience. The system consists of two speakers a headphone and MP3 connection.



## ERGOLINE SUNDASH

### SUNDASH 32/0

Lamps	Watts max.
32	120

Maximum exposure schedule: 20 min.

**Standard features:** Super Power, Comfort Cooling

Optional: Stereo-Sound

### SUNDASH 32/1

Lamps	Watts max.	FT	Watts max.
32	120	1	400

Maximum exposure schedule: 15 min. or 20 min.

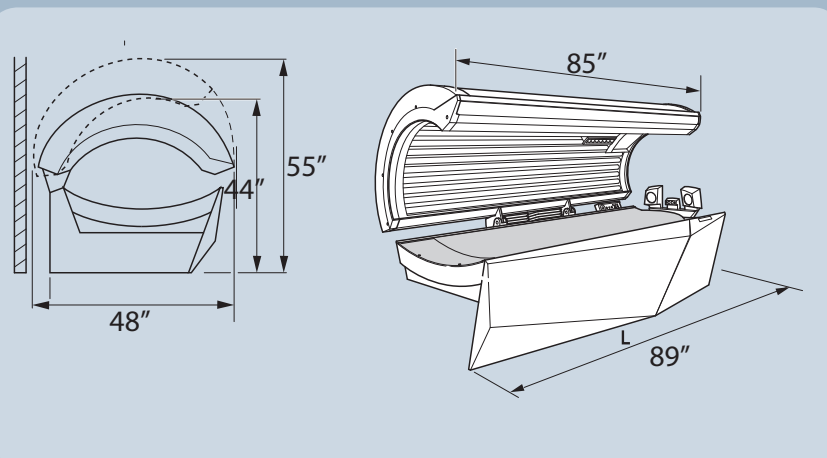
**Standard features:** Super Power, Ultra Performance, Comfort Cooling

Optional: Stereo-Sound

## TECHNICAL SPECS, DIMENSIONS AND DATA

- Total Power consumption (in watts): 5,200
- Electrical requirements: 230V 30 or 230V 10
- Circuit breaker recommended:
- 20A/3-pole 30 or 30A/2-pole 10
- Number of wires required: 4 30 or 3 10
- Weight (in lbs.): 780
- Dimensions closed (LxWxH in inches): 89 w/sound, 85 w/o sound x 48 x 44
- Dimensions open (H in inches): 55
- Recommended room size (in feet): 9 x 7

- Total Power consumption (in watts): 6,000
- Electrical requirements: 230V 30 or 230V 10
- Circuit breaker recommended:
- 30A/3-pole 30 or 40A/2-pole 10
- Number of wires required: 4 30 or 3 10
- Weight (in lbs.): 780
- Dimensions closed (LxWxH in inches): 89 w/sound, 85 w/o sound x 48 x 44
- Dimensions open (H in inches): 55
- Recommended room size (in feet): 9 x 7



Contraindication: This product is contra indicated for use on persons under the age of 18 years.

Contraindication: This product must not be used if skin lesions or open wounds are present.

Warning: This product should not be used on individuals who have had skin cancer or have a family history of skin cancer.

Warning: Persons repeatedly exposed to UV radiation should be regularly evaluated for skin cancer.

Notice: Read the mandatory FDA warning label found on every tanning machine for important information on potential eye injury, skin cancer, skin aging and photosensitive reaction and proper use. Compliant protective eyewear must be worn when using any indoor tanning system or device.

© 2014 JK Products & Services, Inc. reserves the right to change product designs, features, specifications, etc. without notice.

SUN ERGOLINE, A DIVISION OF JK PRODUCTS & SERVICES, INC.

1 Walter Kratz Drive · Jonesboro, AR 72401

870.935.1130 @ ergoline@sunergoline.com www.sunergoline.com

www.facebook.com/ErgolineWorld @JKNorthAmerica

*Ergoline*