

**ERGOLINE
SUNRISE
SERIES**

TURBO POWER



ERGOLINE SUNRISE 480

POWERFUL VIP

- 200W, 2M BODY LAMPS FOR A PERFECT ALL-AROUND TAN
- POWERFUL, YET WHISPER QUIET FAN COOLING
- 3D SOUND FOR ENTERTAINMENT DURING TANNING
- SPACIOUS TANNING ENVIRONMENT



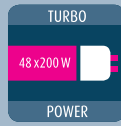
Ergoline

HIGHLIGHTS

SUNRISE 480

TURBO POWER

STANDARD FEATURES



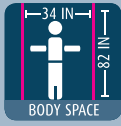
The Sunrise features 48 Turbo Power 2 m lamps to accommodate even your tallest tanners and provide everybody with a beautiful all-around tan.



Our Top Cooling System is whisper quiet yet powerful for a cool, refreshing and relaxing tanning experience.



Our 3D Sound System will make your tanning session an entertaining experience. The system consists of two speakers, a subwoofer, a head-phone and MP3 connection.



Tanning comfort and ergonomics are at the heart of the Ergoline brand. The Sunrise has ample space for a comfortable tanning experience for all shapes and sizes.



Tanning technology is becoming more sophisticated all the time. Thanks to our Voice Guide function tanners can adjust their preferred settings virtually with their eyes closed.



Connecting a smart phone or MP3 player is a convenient way to make the session fly by with your own playlists.



ERGOLINE SUNRISE 480

SUNRISE 480

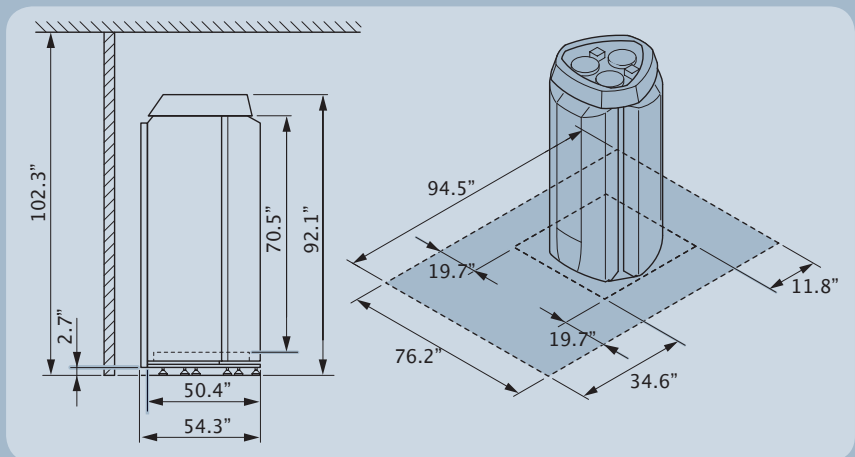
| Lamps | Watts max. |
|-------|------------|
| 48 | 200 / 2m |

Maximum exposure schedule: 9 min.

Standard features: Turbo Power, Interior Light, Silent Cooling, Stereo-Sound

TECHNICAL SPECS, DIMENSIONS AND DATA

- Total power consumption in watts: 11,500
- Electrical requirements: 230V 3Ø or 230V 1Ø
- Circuit breaker recommended:
- 40A / 3-pole 3Ø or 70A / 2-pole 1Ø
- Number of wires required: 4 3Ø or 3 1Ø
- Weight (in lbs.): 810
- Dimensions closed (WxDxH in inches): 55 x 55 x 93
- Dimensions open (WxDxH in inches): 73 x 55 x 93
- Dimensions of tanning space (in inches): 34 x 34
- Minimum ceiling height (in feet): 9
- Recommended room size (LxW in feet): 7 x 8



Contraindication: This product is contra indicated for use on persons under the age of 18 years.

Contraindication: This product must not be used if skin lesions or open wounds are present.

Warning: This product should not be used on individuals who have had skin cancer or have a family history of skin cancer.

Warning: Persons repeatedly exposed to UV radiation should be regularly evaluated for skin cancer.

Notice: Read the mandatory FDA warning label found on every tanning machine for important information on potential eye injury, skin cancer, skin aging and photosensitive reaction and proper use. Compliant protective eyewear must be worn when using any indoor tanning system or device.

© 2014 JK Products & Services, Inc. reserves the right to change product designs, features, specifications, etc. without notice.

SUN ERGOLINE, A DIVISION OF JK PRODUCTS & SERVICES, INC.

1 Walter Kratz Drive · Jonesboro, AR 72401

☎ 870.935.1130 @ ergoline@sunergoline.com 🌐 www.sunergoline.com

📘 www.facebook.com/ErgolineWorld 🐦 @JKNorthAmerica

